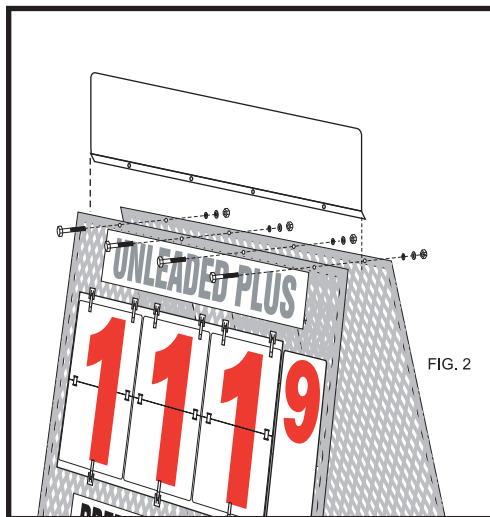
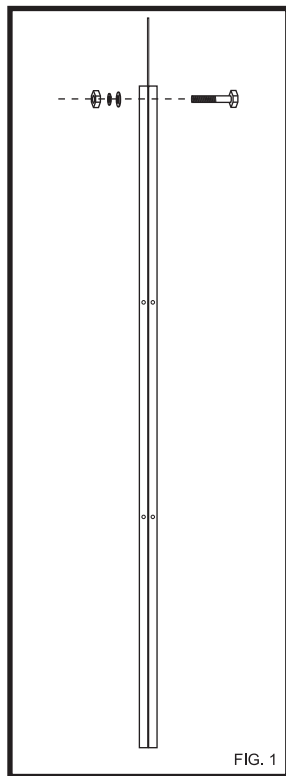


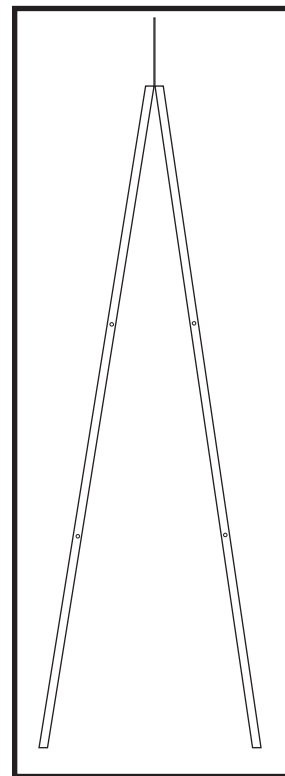
INSTALLATION INSTRUCTIONS FOR 51-QF-GS

Step 1



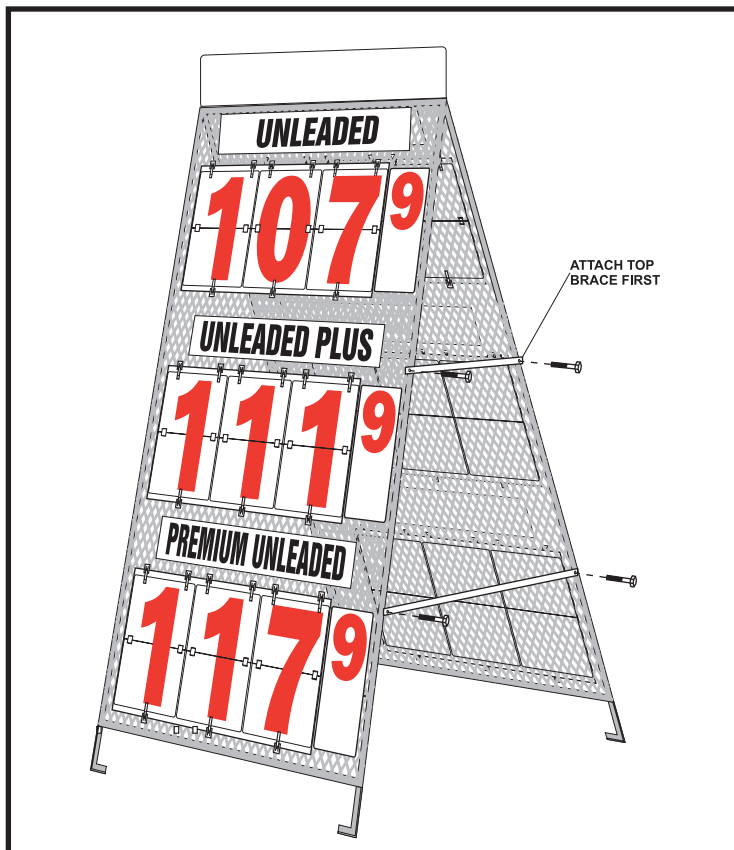
STAND BOTH SIDES BACK TO BACK AND INSERT TOPPER PANEL IN BETWEEN TWO SIDES. INSTALL TOP BOLTS. LEAVE SOME SPACE BETWEEN FRAMES, DO NOT TIGHTEN AT THIS TIME.

Step 2



SPREAD SIDES APART

Step 3



ATTACH TOP BRACE, THEN ATTACH BOTTOM BRACE LAST.

TIGHTEN ALL HARDWARE SECURELY.

INSPECT OCCASIONALLY TO MAKE CERTAIN ALL HARDWARE IS SECURED PROPERLY.

WE RECOMMEND THAT THE SIGN BE ANCHORED TO THE GROUND.



Quality Signs since 1946

1-800-800-4629

1200 Forum Way South
Fort Worth, TX 76140

www.mayadvertising.com