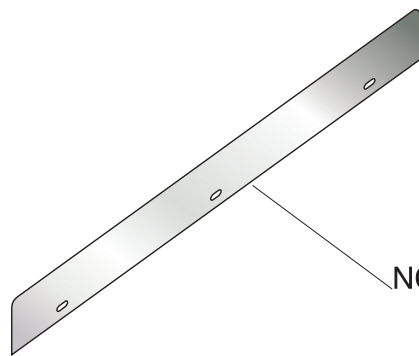
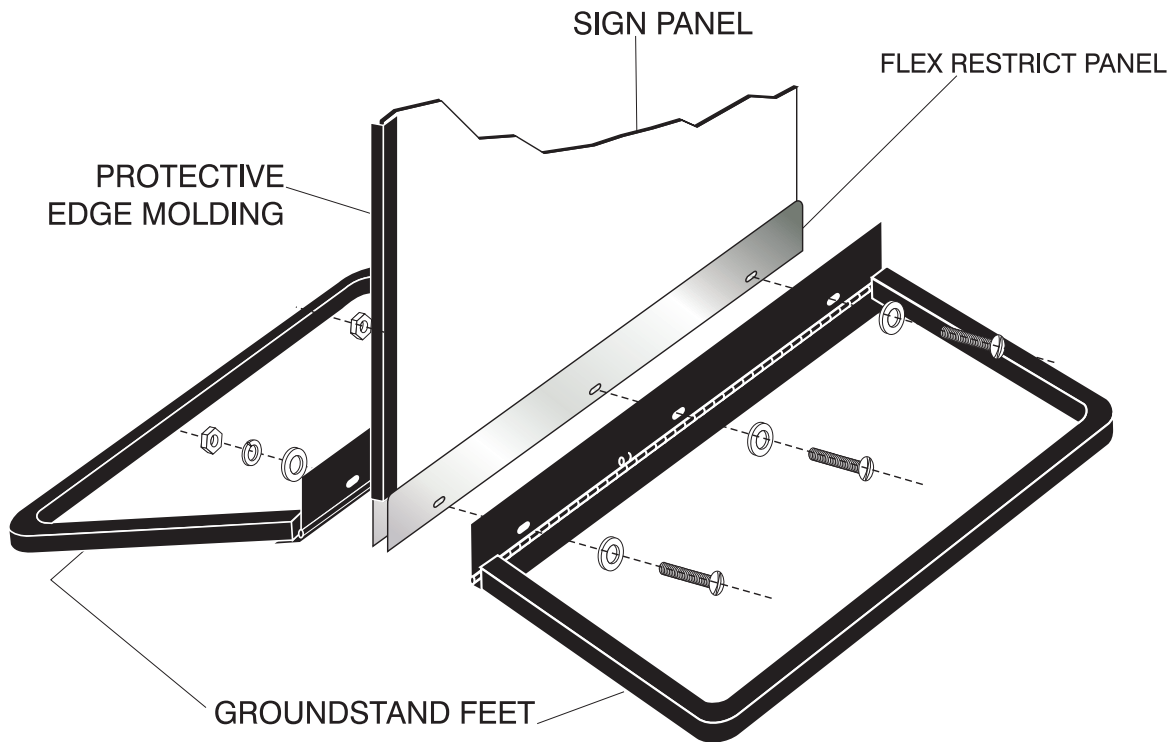


# FLEX GROUNDSTAND HINGE ASSEMBLY INSTRUCTIONS

## **IMPORTANT:**

INSTALL CENTER BOLT FIRST.  
LEAVE ALL ATTACHING HARDWARE  
EXTREMELY LOOSE UNTIL ALL BOLTS  
HAVE BEEN INSTALLED.  
SECURE ALL HARDWARE AND  
INSPECT OCCASIONALLY.



**NOTE: FLEX RESTRICT PANELS  
MUST BE INSTALLED FOR  
PROPER OPERATION.**



Quality Signs since 1946  
**1-800-800-4629**  
1200 Forum Way South  
Fort Worth, TX 76140  
[www.mayadvertising.com](http://www.mayadvertising.com)