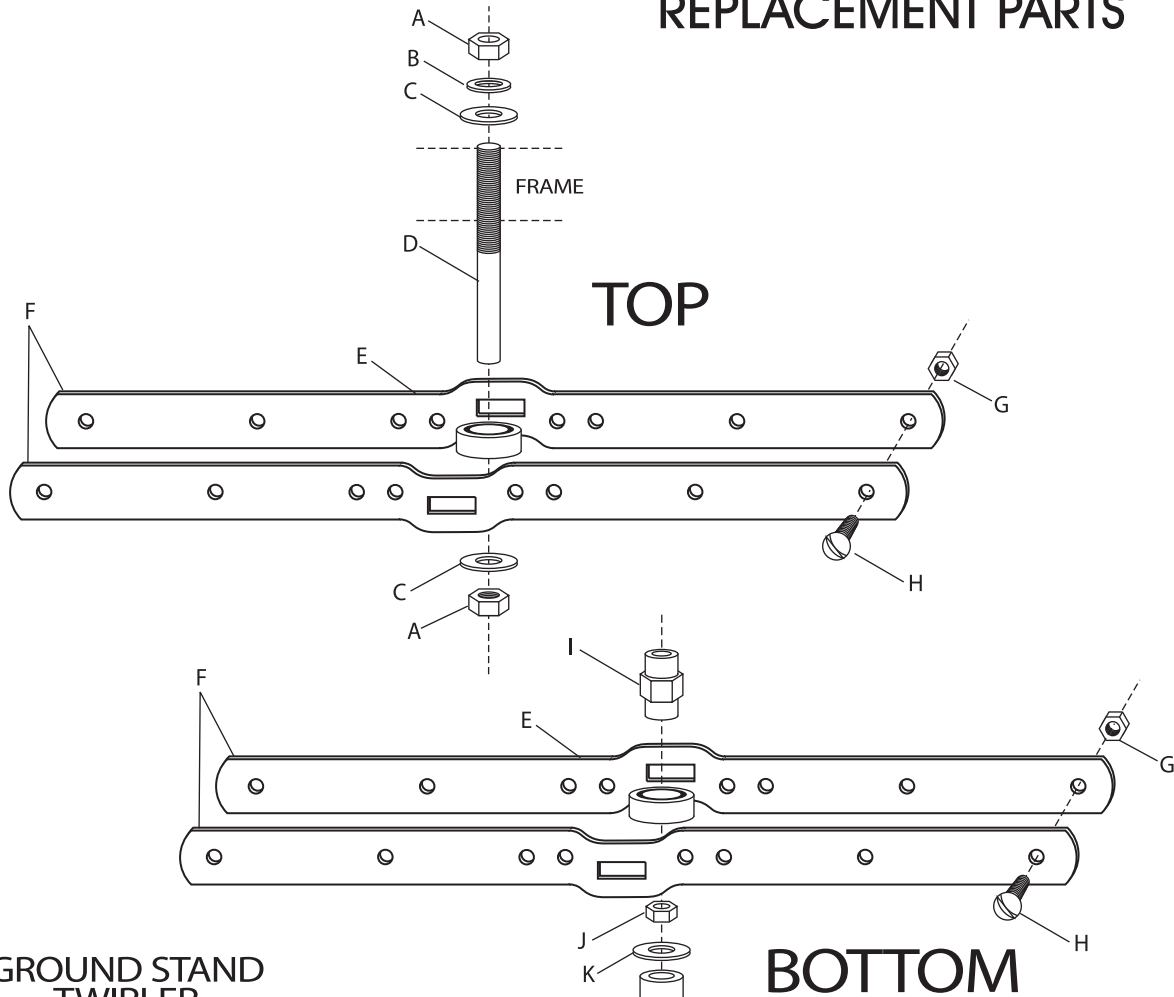
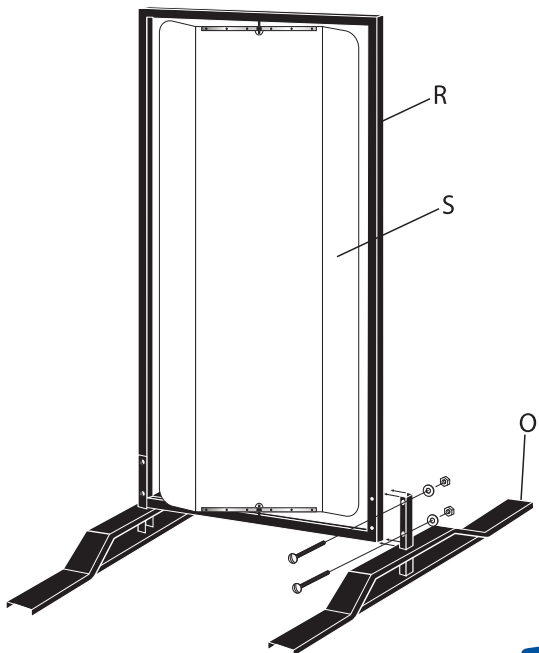


#WT-GS Wind Twirler

REPLACEMENT PARTS



GROUND STAND TWIRLER



BOTTOM

Indicate parts that need to be replaced by circling the corresponding letter.

6-17-02

WT-MISC - Enter each item as a separate line item with the correct dollar amount & part# (no description)

			Number Required
A	3/8" NUT	\$ 0.10	2
B	3/8" LOCK WASHER	\$ 0.05	1
C	3/8" WASHER	\$ 0.05	2
D	3/8" HEADLESS BOLT	\$ 2.50	1
E	BEARING	\$ 7.50	2
F	3/4" X 13" BRACKET	\$ 4.25	4
G	3/16" LOCK NUT	\$ 0.10	16
H	3/16" BOLT	\$ 0.05	16
I	3/8" SAFETY NUT	\$ 0.25	1
J	5/16" NUT	\$ 0.10	1
K	5/16" WASHER	\$ 0.05	3
L	5/16" X 1" SPACER	\$ 1.25	1
M	5/16" LOCK WASHER	\$ 0.05	1
N	5/16" X 3" BOLT	\$ 0.95	1
O	TWIRLER FEET (SET)	\$ 42.50	1
R	GROUND STAND FRAME	\$ 24.50	1
S	TWIRLER PANEL	\$ 89.75	1



Quality Signs since 1946

1-800-800-4629

1200 Forum Way South

Fort Worth, TX 76140

www.mayadvertising.com